

2WW

Submersible Sewage Pump 2" NPT Discharge, 2" Solids Handling



Specifically designed for the following uses: Residential sewage systems, dewatering, water transfer, anywhere waste and drainage must be disposed of quickly, quietly and efficiently.

MOTOR INFORMATION

General:

Class "B" insulation
Oil-filled design

Single Phase:

Built-in automatic reset overload
115 V – .5 HP
230 V – .5 HP

Capacities: up to 75 GPM.

Total heads: up to 18 feet.

Mechanical seal: carbon-rotary/ceramic-stationary, BUNA-N elastomers.

Temperature: 104° F (40°C) continuous; 140° F (60°C) intermittent.

Fasteners: 300 series stainless steel.

Capable of running dry without damage to components.

Impeller: Glass-filled thermoplastic full-vortex design with pump out vanes for mechanical seal protection.

Casing and Base: Rugged glass-filled thermoplastic design provides superior strength and corrosion resistance.

Motor Housing: Cast iron for efficient heat transfer, strength, and durability.

Motor Cover: Thermoplastic cover with integral handle and float switch attachment points.

Bearings: Upper and lower heavy duty ball bearing construction.

Power Cable: Severe duty rated oil and water resistant. Available in 10' or 20' lengths.



Tested to CSA 22.2
108 Standards
By Canadian Standards
Association

Red Jacket Water Products is a licensed trademark.

The ITT Engineered Blocks symbol is a registered trademark and tradename of ITT Industries.

Visit us at: www.redjacketwaterproducts.com

Effective March, 2003

BRJ2WW-R0

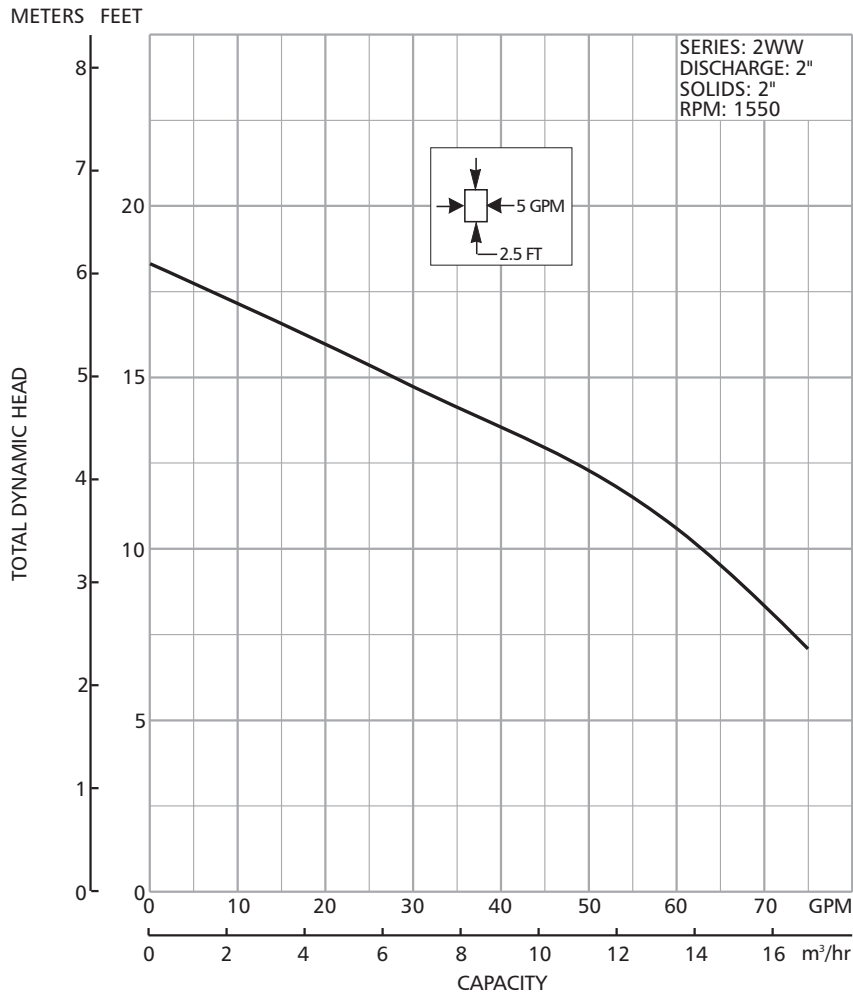


ITT Industries

2WW

Submersible Sewage Pump 2" NPT Discharge, 2" Solids Handling

PERFORMANCE CURVE



MOTOR FEATURES

Single phase: ½ HP, 115 V or 230 V, 60 Hz, 1550 RPM, built in overload with automatic reset.

Power cord: 10 foot standard length, 16/3 SJTW with molded NEMA three prong grounding plug. Optional 20 foot length.

Fully submerged in high grade turbine oil for lubrication and efficient heat transfer.

Available for automatic and manual operation.

Automatic models include Mechanical Float Switch assembled and preset at the factory.

PERFORMANCE RATINGS

Total Head (ft. of water)	Gallons Per Minute
10	63
12	49
14	31
16	14
18	0



2WW

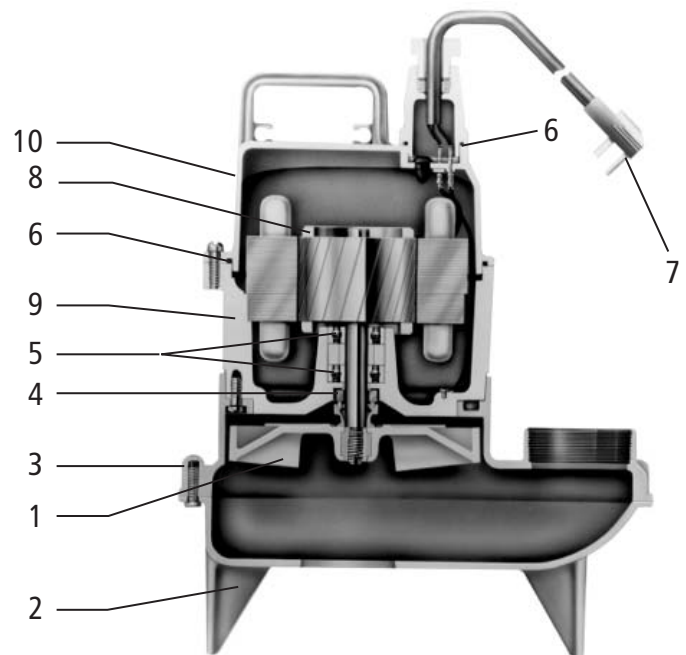
Submersible Sewage Pump 2" NPT Discharge, 2" Solids Handling

MODEL INFORMATION

Order No.	HP	Volts	Amps	Min. Circuit Breaker	Ph	Float Switch Style	Cord Length	Discharge Connection	Min. On Level	Min. Off Level	Min. Basin Diameter	Max. Solids Size	Shipping Weight lbs/kg
2WW0511	.5	115	13	20	1	Plug / No Switch	10'	2"	Manual	Manual	18"	2"	22 / 10
2WW0511A						Piggyback / Wide-Angle	10'		15"	9"			23 / 10.4
2WW0511F						Plug / No Switch	20'		Manual	Manual			22 / 10
2WW0511AF						Piggyback / Wide-Angle	20'		15"	9"			23 / 10.4
2WW0512	.5	230	6.5	10	1	Plug / No Switch	10'	2"	Manual	Manual	18"	2"	22 / 10
2WW0512F						Plug / No Switch	20'		Manual	Manual			22 / 10

COMPONENTS

Item No.	Description
1	Impeller
2	Rugged thermoplastic base
3	Rugged thermoplastic pump casing
4	Mechanical seal
5	Ball bearings
6	O-rings
7	Power cord
8	Oil filled motor
9	Cast iron motor housing/stator assembly
10	Thermoplastic motor cover



2WW

Submersible Sewage Pump 2" NPT Discharge, 2" Solids Handling

DIMENSIONS

(All dimensions are in inches. Do not use for construction purposes.)

